

JUXTA D Series

General Specifications

Model DH1
Isolator

JUXTA

1. General

This DSC correspondence nest stored type isolator converts DC current or voltage signals into various current or voltage signals.

2. Specifications

Input & Output	
Input signal	DC voltage or current signals
Measuring range	-10~+10V DC, Span 10mV or more Elevation should be $\pm 50\%$ or less of span
Input resistance	1M Ω (when power off)
Permissible applied voltage	± 30 V DC or less
Ch1 output signal	1~5V DC
Ch2 output signal	DC voltage or current signals (In case of current output, output is only available either from front terminal ③~④ or connector)
Zero point adjustment range	$\pm 5\%$ of span
Span adjustment range	$\pm 5\%$ of span
Standard Performance	
Accuracy rating	$\pm 0.1\%$ of span
Response speed	150ms 63% response (10~90%)
Insulation resistance	100M Ω or more (at 500V DC) between input~output~power supply mutually
Voltage withstand	1500V AC/minute between input~output, input~power supply 500V AC/minute between output~power supply
Ambient temperature and humidity	Normal operating condition : 0~50 $^{\circ}$ C, 5~90% RH Operating limit : -10~60 $^{\circ}$ C, 5~95% RH Storage condition : -10~70 $^{\circ}$ C, 5~95% RH (no condensation)
Power supply voltage	24V DC $\pm 10\%$ (ripple content 10% p-p or less)
Effect of power supply voltage fluctuation	$\pm 0.1\%$ or less of span per 24V DC $\pm 10\%$ fluctuation
Effect of ambient temperature change	$\pm 0.2\%$ or less of span per 10 $^{\circ}$ C temperature change
Current dissipation	24V DC 85mA(4~20mA DC) 50mA(1~5V DC)
Mounting & Dimension	
Boards	Both sides glass-epoxy
Mounting method	Store in exclusive nest (signal-power supply be connected through back board and connector)
Wiring	External wiring : Connect to terminal M4 screw of input/output of exclusive nest. Connection to I/O card: By exclusive cable (connector)
External dimension	130.6 X 23.6 X 126mm (HxWxD)
Weight	About 120g
Accessories	
Tag number label ... 4	

DH1-□6□*A

TYPE

INPUT SIGNAL

- | | |
|--|---|
| A : 4~20mA DC | 1 : 0~10mV DC |
| B : 2~10mA DC | 2 : 0~100mV DC |
| C : 1~5mA DC | 3 : 0~1V DC |
| D : 0~20mA DC | 4 : 0~10V DC |
| E : 0~16mA DC | 5 : 0~5V DC |
| F : 0~10mA DC | 6 : 1~5V DC |
| G : 0~1mA DC | 7 : -10~+10V DC |
| Z : (CUSTOM) Current Signal
(150mA or less) | 0 : (CUSTOM) Voltage Signal
(±30V or less) |

CH1 OUTPUT SIGNAL

- 6 : 1~50V DC

CH2 OUTPUT SIGNAL

- | | |
|---|---|
| A : 4~20mA DC | 1 : 0~10mV DC |
| B : 2~10mA DC | 2 : 0~100mV DC |
| C : 1~5mA DC | 3 : 0~1V DC |
| D : 0~20mA DC | 4 : 0~10V DC |
| E : 0~16mA DC | 5 : 0~5V DC |
| F : 0~10mA DC | 6 : 1~5V DC |
| G : 0~1mA DC | 7 : -10~+10V DC |
| Z : (CUSTOM) Current Signal
(24mA or less) | 0 : (CUSTOM) Voltage Signal
(±10V or less) |

POWER SUPPLY

24V DC±10%

Output resistance and permissible load resistance

(DC current output type)		
Output signal	Output resistance	Permissible load resistance
4~20mA DC	5KΩ or less	0~750Ω
2~10mA DC		0~1500Ω
1~5mA DC		0~3000Ω
0~20mA DC		0~750Ω
0~16mA DC		0~900Ω
0~10mA DC		0~1500Ω
0~1mA DC		0~15KΩ
Others, in case of I ₁₀₀ = 24mA or less		(15/I ₁₀₀)Ω or less

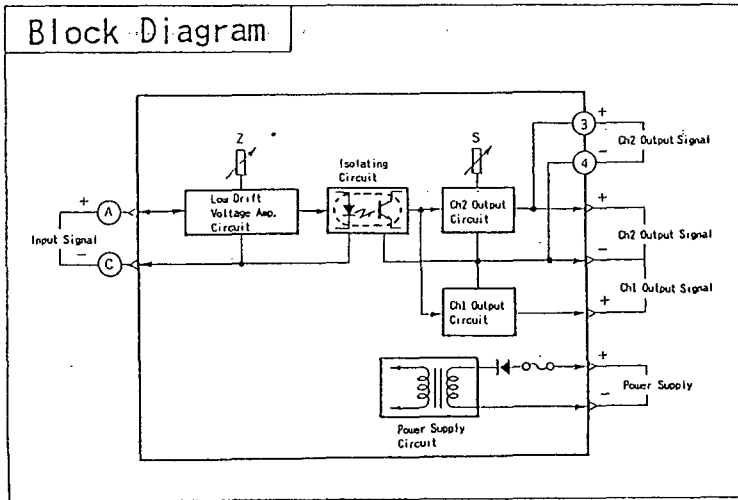
I₁₀₀ = 100% output current value

(DC voltage output type)			
Output signal	Output resistance	Permissible load resistance	
0~10mV DC	100Ω or less	250KΩ or more	
0~100mV DC		2KΩ or more	
0~1V DC	1Ω or less	10KΩ or more	
0~10V DC		2KΩ or more	
0~5V DC		2KΩ or more	
1~5V DC		10KΩ or more	
-10~+10V DC		250KΩ or more	
Others, in case of I ₁₀₀ = 10V or less		V ₁₀₀ ≤ 100mV : 100Ω or less V ₁₀₀ > 100mV : 1Ω or less	10KΩ or more

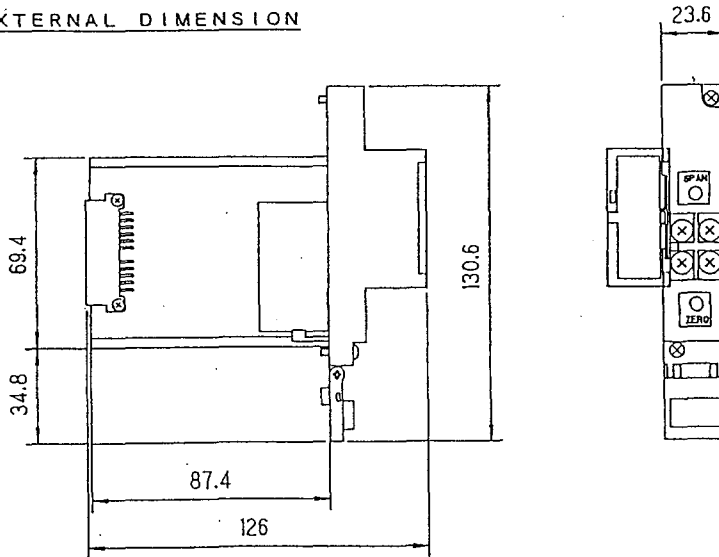
I₁₀₀ = 100% output voltage value

(Note) At 0~XmA of current output type, output value of 0.5% or less would be out of warranty regarding relative accuracy for Ch1 output.

ORDERING INFORMATION
(Example) Type Code : DH1-A6A*A



EXTERNAL DIMENSION



Unit : mm

Subject to change without notice for grade up quality and performance